

DISTRICT OF KITIMAT

PERMIT # _____

CULVERT INSTALLATION PERMIT

LOT : _____
BLOCK : _____
ADDRESS : _____

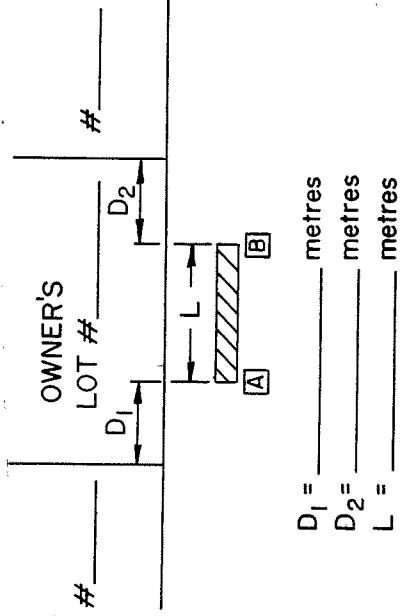
OWNER'S NAME : _____
ADDRESS : _____
PHONE No. : _____

YOUR ATTENTION IS DRAWN TO THE FOLLOWING EXCERPT FROM THE MUNICIPAL CODE, SECTION 9.10.4.8

(8) No culverts shall be installed on any highway without first obtaining a permit from the Municipal Engineer which will indicate required culvert type, size and grades. Installation shall be in accordance with the District of Kitimat Engineering construction specifications and the permit. Illegal installations shall be subject to correction or removal at the owner's expense as determined by the Municipal Engineer.

LOCATION PLAN *

*to be completed by the applicant



D₁ = _____ metres
D₂ = _____ metres
L = _____ metres

TO BE COMPLETED BY
DISTRICT OF KITIMAT



Road Chainage @ A = _____ metres
Invert Elevation @ A = _____ metres
Invert Elevation @ B = _____ %
Culvert Grade = _____
Culvert Type = _____
Culvert Diameter = _____ mm

NOTES:

1. All elevations are to Kitimat Datum in town and Geodetic Datum in Cablecar.
2. Engineering Department will set reference hubs for the culvert within 7 working days of receiving request. These reference hubs are to be preserved until final inspection by the Engineering Department. If the hubs are disturbed before final inspection, they shall be replaced at the expense of the Permit Applicant.
3. The Applicant shall notify the Engineering Department when culvert installation will take place in order to facilitate inspection.

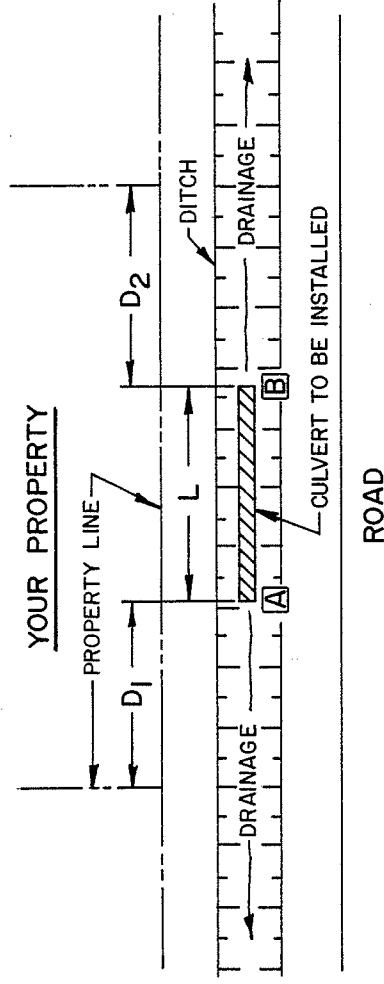
Permit applied for by _____ Applicant's Signature _____ Date _____

Permit issued by _____ Municipal Engineer _____ Date _____

1. Bldg. Inspection – Lot & Block
2. Engineering – 2.9.3.8
3. Applicant

CULVERT INSTALLATION INSTRUCTIONS

1. DIAGRAM

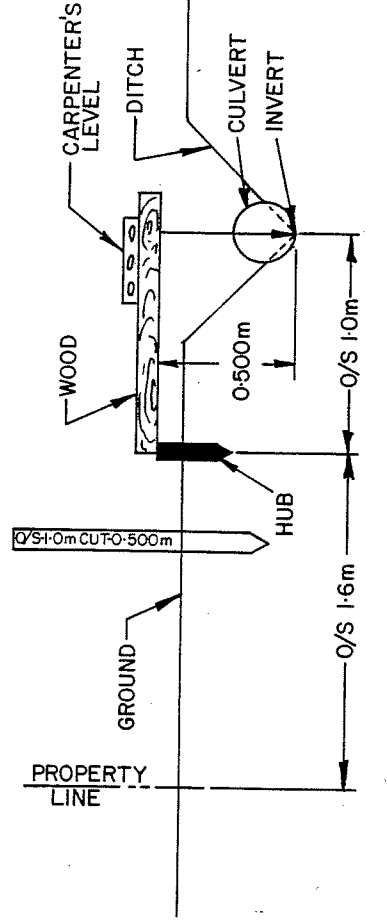


2. To properly install a culvert, one must understand the stakes and the information on them. The hubs (smaller stakes) are set at the points along the frontage of the property on the road right-of-way according to the permit applied for at the District of Kitimat.

The information on the stakes near the hubs will read: "O/S 1.0 m, cut 0.500 m".

Offset (O/S) means that the culvert centre line is to be installed 1.0 metres away (towards the road) from the hub. Cut 0.500 m: indicates the depth of the culvert required, at the invert of the culvert. Invert means bottom of the culvert. The precise invert can be attained easily by using two basic tools; a carpenter's level and a metric tape. A 1.5 metre piece of wood with a straight edge used as illustrated will help.

The O/S of one metre is not critical, but as close as possible would be appreciated.



*Please Note: The hubs and measurements are to assure proper drainage for each owner in your area. If you have any questions please do not hesitate to call the Engineering Department at the District of Kitimat, 250-632-8900.