



## Application for Installation Permit for a Deck, Shed (<math>10m^2</math>) or Greenhouse(<math>10m^2</math>)

**Property Information:**

Name of Owner: \_\_\_\_\_

Phone Number: \_\_\_\_\_ Email Address: \_\_\_\_\_

Address of Subject Property: \_\_\_\_\_

Permit requested for:       Deck     Shed     Greenhouse      **\*Greater than 10m<sup>2</sup>  
Requires Standard Building  
permit\***

Fee                               \$40     \$40     \$40

Work to be completed:       New             Repair

Contractor Name (if applicable) \_\_\_\_\_

Phone Number of Contractor: \_\_\_\_\_ Email: \_\_\_\_\_

Description of Work: \_\_\_\_\_

**PLEASE CONTACT ALL UTILITY COMPANIES  
FOR LOCATION OF SERVICES BEFORE COMMENCING EXCAVATION**

**Declaration:**

I/We hereby agree to indemnify and save harmless the District of Kitimat and its employees against all claims, liabilities, judgments, costs and expenses of whatsoever kind which may in any way occur against the District and its employees in consequence of and incidental to, the granting of this permit, if issued, and I further agree to conform to all requirements of the *Kitimat Municipal Code*.

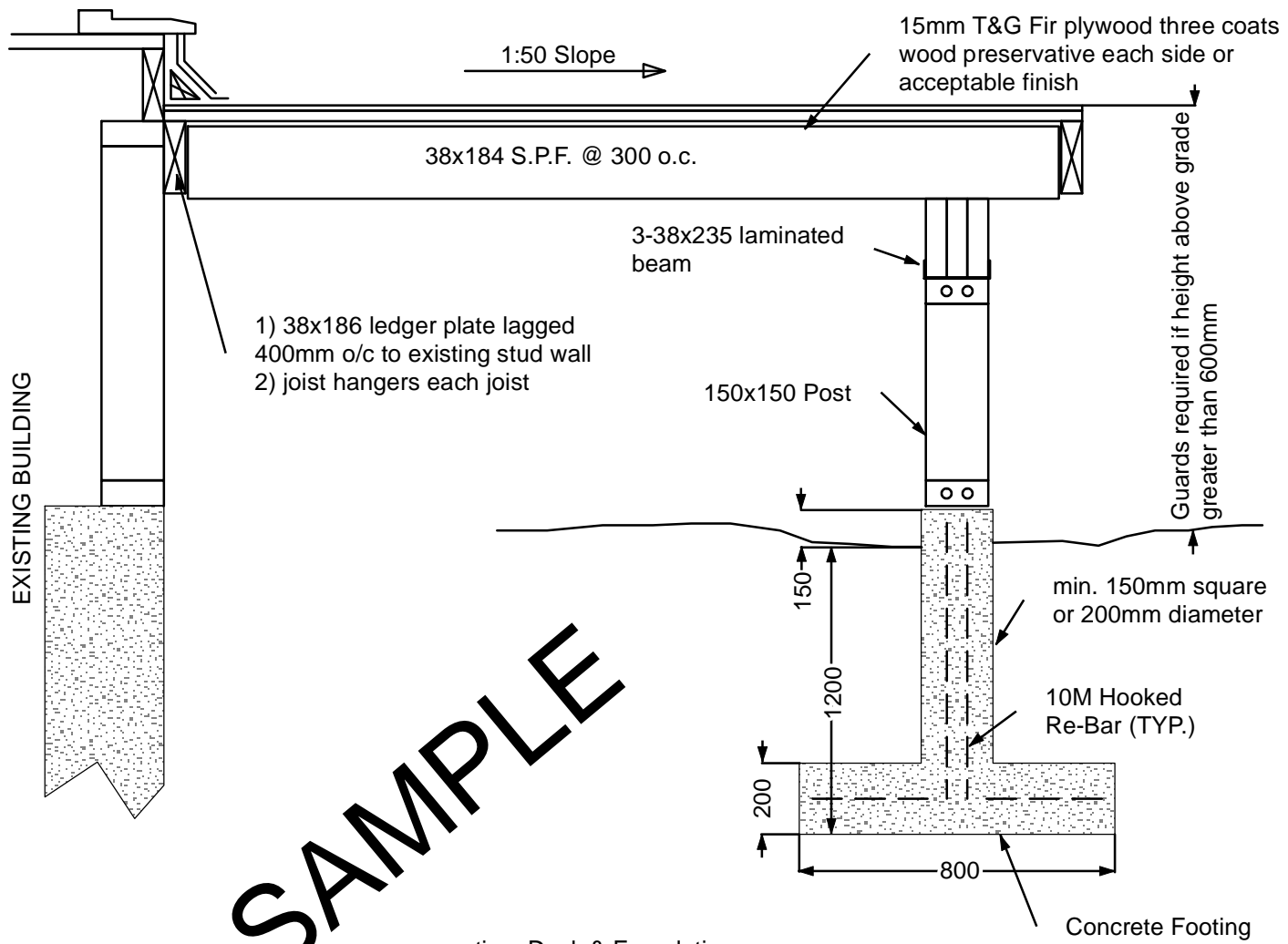
Signature of Owner/Authorized Agent: \_\_\_\_\_

Printed Name: \_\_\_\_\_ Date: \_\_\_\_\_

**YOU MUST REQUEST INSPECTIONS AT EACH STAGE OF WORK CALL THE DISTRICT OF KITIMAT AT 250-632-8900**

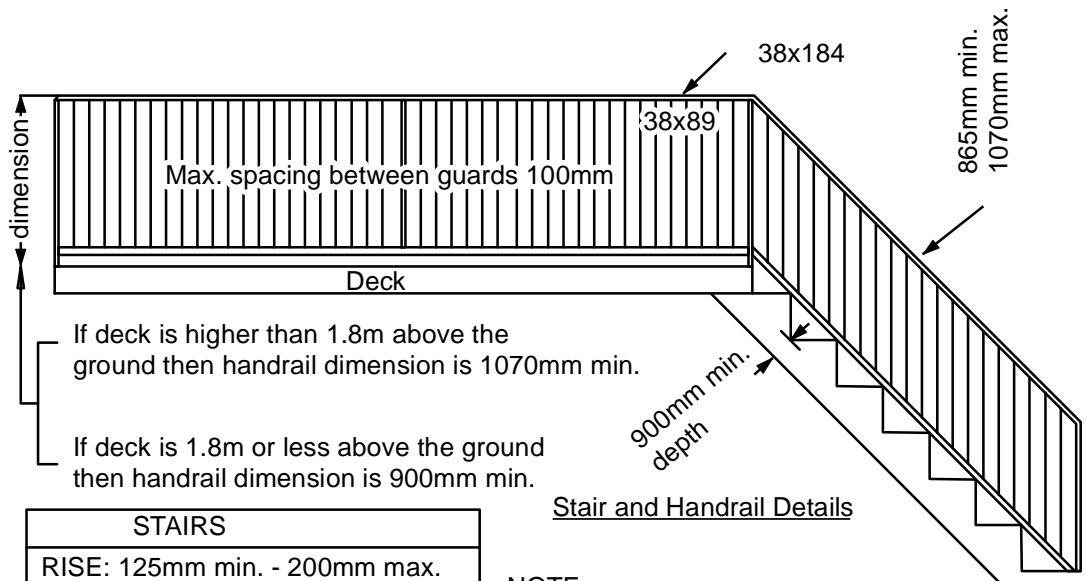
Excavation       Foundation Forms Prior to Placement of Concrete       Framing

<b>For Office Use Only:</b>		<b>Permit #:</b>
Building Inspector Signature:	Approve Application:	<input type="checkbox"/> Yes <input type="checkbox"/> No
		Zone:
Comments:		



**SAMPLE**

x-section: Deck & Foundation



If deck is higher than 1.8m above the ground then handrail dimension is 1070mm min.

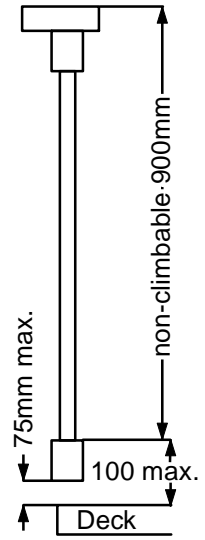
If deck is 1.8m or less above the ground then handrail dimension is 900mm min.

Stair and Handrail Details

STAIRS	
RISE:	125mm min. - 200mm max.
RUN:	210mm min. - 355mm max.
TREAD DEPTH:	235mm min. - 355mm max.
STRINGER:	38x235min

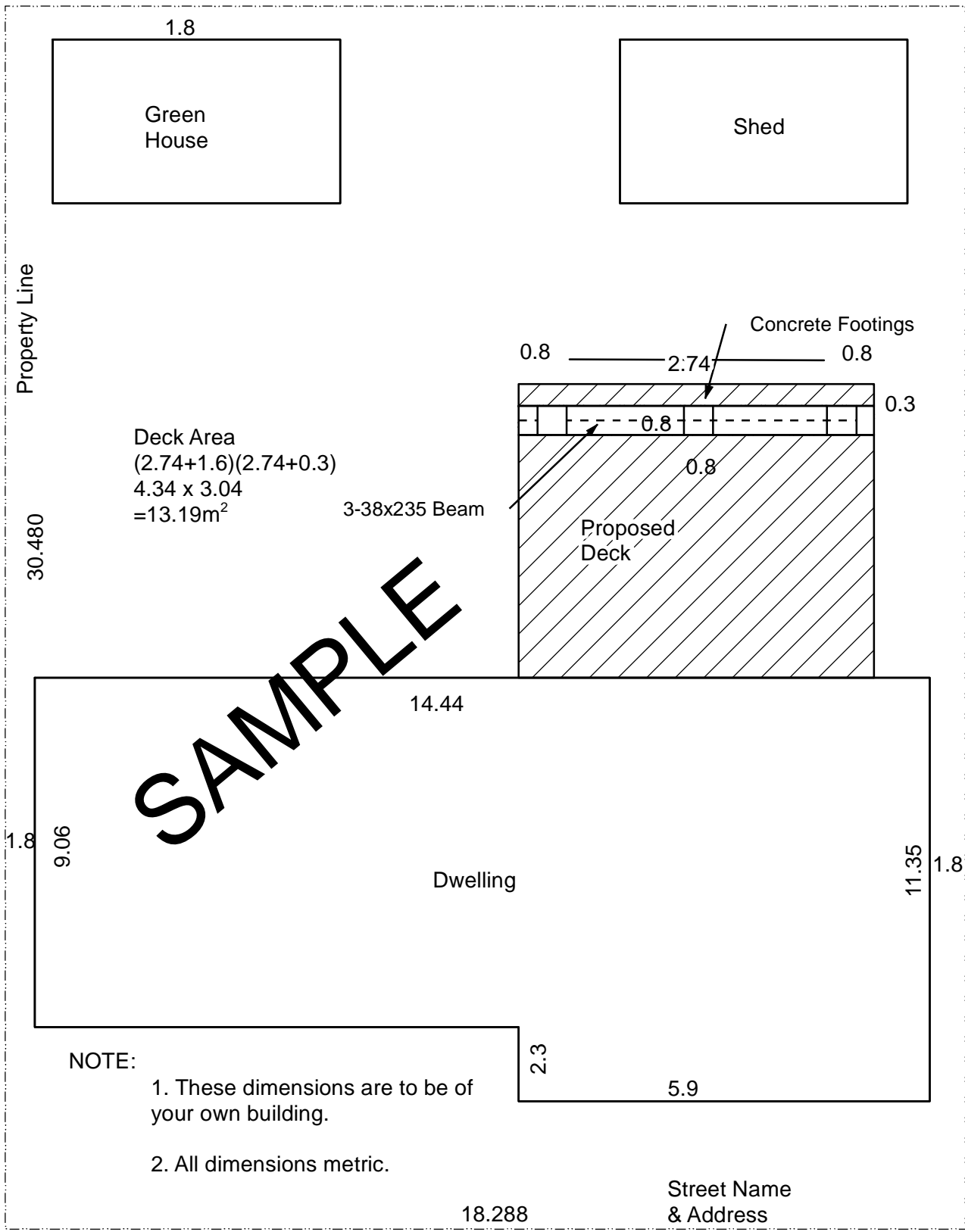
**NOTE:**

1. These dimensions are to be of your own building.
2. All dimensions metric.



x-section Post & Rail

Deck height changed from 1.5m to 1.8m 6/28/2016 R.B.



### Sample Calculations

Lot Area =  $557.42m^2$   
 House Area =  $144.40m^2$   
 Allowable Coverage =  $25\% + 45m^2$   
 $139.35+45m^2 = 184.35m^2$   
 Total Site Coverage, Existing + Proposed  
 =  $144.40 + 13.19(\text{deck}) + 20.07$   
 =  $177.66m^2$

<b>Your Name and Street Address</b>		
Sample guideline for submission of your own drawing for Building Permit Application for Decks		
Drawn: DC/AS	Date: 04Sep2018	SITE PLAN
Checked: RB	Scale: Not to scale	
App'd MFA		

SCHEDULE B

**DISTRICT OF KITIMAT  
ACKNOWLEDGEMENT OF OWNER**



BUILDING INSPECTION DEPARTMENT  
Ph. 250-632-8900 Fax: 250-632-4995

I acknowledge that as the owner of the land in respect of which this permit is issued I am solely responsible for carrying out the work authorized by this permit in accordance with the *Building Code* and other applicable laws respecting safety, including the requirements of the *Building Code* in relation to soil conditions for building foundations.

I acknowledge that the owner of the land is also solely responsible for determining whether the work authorized by this permit contravenes any covenant, easement, right of way, building scheme or other restriction affecting the building site, and whether the work requires the involvement of an architect under the *Architects' Act* or an engineer or geoscientist under the *Engineers and Geoscientists Act*.

I acknowledge that the District of Kitimat provides a limited monitoring service in relation to building construction and does not, by accepting or reviewing plans, inspecting construction, monitoring the inspection of construction by others, or issuing building or occupancy permits, make any representation or give any assurance that the construction authorized by this permit complies in every or any respect with the *Building Code* or any other applicable laws respecting safety.

If the District of Kitimat has so indicated on the building permit, I acknowledge that the District has issued the permit in reliance on the certification of a registered professional, engaged by me to provide such a certification that the plans for the work authorized by the permit comply with the *Building Code* and other applicable enactments, that the building permit fee has been reduced accordingly, and that the District of Kitimat makes no representations to me or any other person as to any such compliance.

\_\_\_\_\_  
Registered Owner's Name  
(please print)

\_\_\_\_\_  
Signature of Registered Owner or Authorized  
Signatory of Corporate Owner

\_\_\_\_\_  
Contact Phone No.

\_\_\_\_\_  
Date Signed

\_\_\_\_\_  
Legal Description or Civic Address of Property

Once this document has been duly executed, please return to the District of Kitimat at 270 City Centre, KITIMAT, BC V8C 2H7